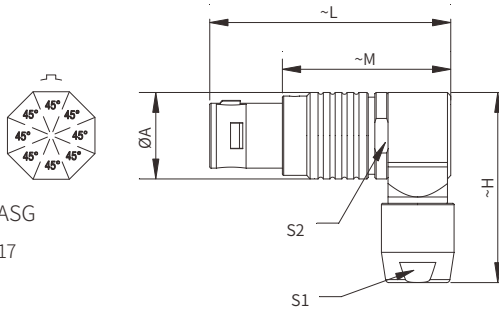


■ PBG Adjustable Angled Plug, Key(G), Cable Collet

- Connector series: PBG
 - Contact: Male
 - Key: G(More keys, refer to page 43)
 - Locking type: Self-locking
 - Orientation type: Adjustable angle
 - Part No.: PBG.XB.XXX.CLADXX
 - Mated with: FSG/SFG/SRG/SEG/FBG/PRG/ASG
- Note: "X" refers to part number definition on page 17



■ General Information



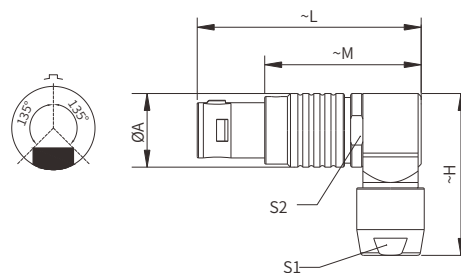
Ambient temperature:	-55°C~+250°C
Endurance:	>5000 cycles
Insulator:	PEEK
Connector contacts:	Brass with gold plated
Housing:	Brass with Cr plated

Insulation resistance:	≥100MΩ
IP rating:	IP 50
Shielding efficiency:	at 10MHz>75dB/at 1GHz>40dB
Salt spray corrosion test:	>144h

Size	Dimensions(mm)					
	A	H	L	M	S1	S2
00	8.0	18.1	24.8	16.8	5.0	7.0
0B	10.0	22.4	30.3	20.3	7.0	9.0
1B	12.0	26.4	36.5	25.5	9.0	11.0
2B	16.5	34.5	44.0	32.0	12.0	15.0

■ PVG Rotatable Angled Plug, Key(G), Cable Collet

- Connector series: PVG
 - Contact: Male
 - Key: G(More keys, refer to page 43)
 - Locking type: Self-locking
 - Orientation type: Adjustable angle
 - Part No.: PVG.XB.XXX.CLADXX
 - Mated with: FSG/SFG/SRG/SEG/FBG/PRG/ASG
- Note: "X" refers to part number definition on page 17



■ General Information



Ambient temperature:	-55°C ~ + 250°C
Endurance:	>5000 cycles
Insulator:	PEEK
Connector contacts:	Brass with gold plated
Housing:	Brass with Cr plated

Insulation resistance:	≥100MΩ
IP rating:	IP 50
Shielding efficiency:	at 10MHz>75dB/at 1GHz>40dB
Salt spray corrosion test:	>144h

Size	Dimensions(mm)					
	A	H	L	M	S1	S2
00	8.0	18.1	24.8	16.8	5.0	7.0
0B	10.0	22.4	30.3	20.3	7.0	9.0
1B	12.0	26.4	36.5	25.5	9.0	11.0
2B	16.5	34.5	44.0	32.0	12.0	15.0